

EPFCB LCD - EVOLUTION LINE

144 x 144

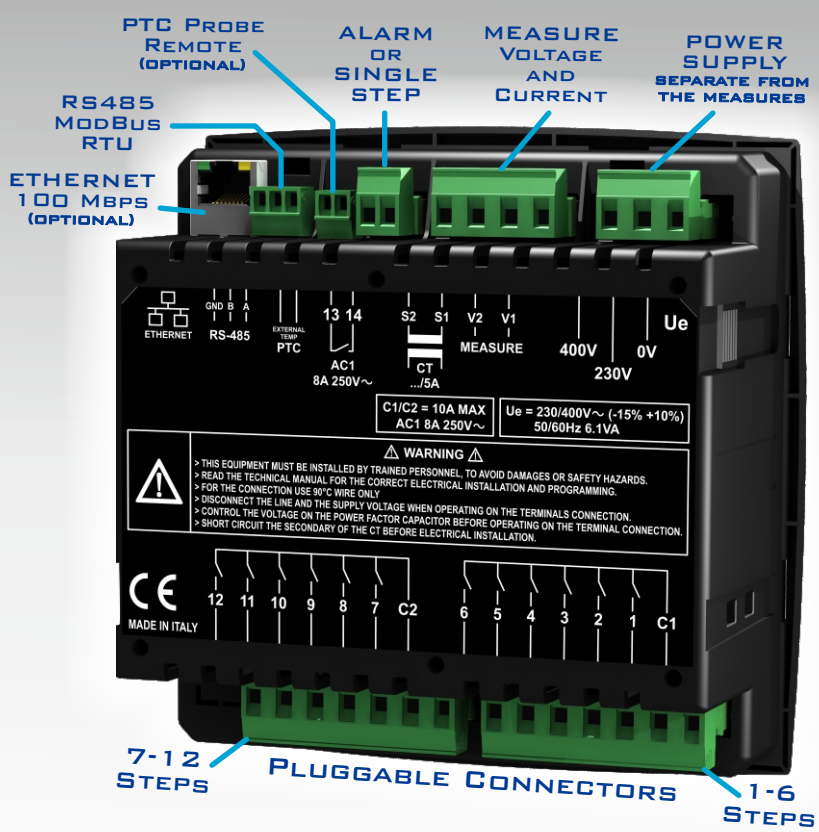


LCD
GRAPHIC
128x64PX

LIGHTED SILICON KEYBOARD



144x144 REAR CONNECTIONS



MICROIDEA®

MICROIDEA S.R.L.

VIA SERIO, 39 - 24021 ALBINO (BG) ITALY
TEL. +39.035.773 925/15 - FAX +39.035.773 933
E-MAIL: MICROIDEA@MICROIDEA.IT - HTTP://WWW.MICROIDEA.IT

- ▶ THE MOST COMMON MEASUREMENTS AND MUCH MORE
- ▶ NEW FEATURES BESIDES TO THE ALL FEATURES OF PREVIOUS MODELS
- ▶ SEPARATE MEASURE FROM SUPPLY
- ▶ SYSTEM STATUS INSTANT VIEW
- ▶ IT ABLE TO OPERATE IN ALL FOUR-QUADRANTS
- ▶ LCD GRAPHIC DISPLAY
- ▶ LIGHTED SILICON KEYBOARD
- ▶ COMMUNICATION PORTS: - RS485 MODBUS RTU
- ETHERNET
- ▶ EXTERNAL NTC FOR CAPACITORS TEMPERATURE MONITORING
- ▶ SELF-EXTINGUISHED MATERIAL UL94 V0



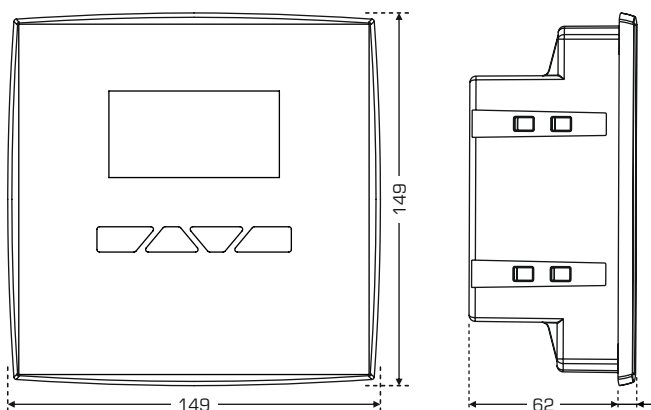
EU Directives - CE Marking:

- > 2014/30/UE - EMC
- > 2014/35/UE - LVD

TECHNICAL DATA

	UNIT	EPFCB07	EPFCB13
Supply voltage AC	V~	230 - 400 (range 220 - 440)	
Operating Limits (Ue)	%	-15 / +10	
Nominal Frequency	Hz	50 - 60 (range 47 - 63)	
Power Consumption (max. AC)	VA	12	
Immunity Time For Microbreakings	ms	< 6	
Display Type	-	64x128 Dot Matrix LCD COG	
Rated Current (CT)	A	5	
Voltage Reading Limits (N/Lx)	V~	110 - 265	
Current Reading Limits (CT)	A	0.125 - 5.5	
Measuring Values	-	True RMS	
Power Factor Correction	-	0.85 Ind - 0.95 Cap (operates in all Four-Quadrants)	
FFT - Harmonic Spectrum	THD %	64 st	
Number of Output	Relay	7	13
Serial Interface	-	TTL - standard	
Communication Protocol	-	Owner - Modbus RTU	
Connector Type	-	RJ11	
Working temperature	°C	-10 / +50	
Storage temperature	°C	-30 / +70	
Electrical Insulation	kV	4	
Overvoltage Category	-	II	
Protection degree	IP	41 Front Cover - 20 Terminal Block Connections	
Pollution degree	-	2	
Relative Humidity w/o cond.	RH%	90	
Altitude up to	m	2000	
Weight	g	700	770
Dimensions	mm	149 x 149 x 68	

DIMENSIONS (mm)



WIRING DIAGRAM

