

- ▶ SELF-EXTINGUISHED MATERIAL V0
- ▶ COMPACT SIZE - 1 MODULE - 17.5mm
- ▶ OUTPUT RELAY 1 POLE CHANGEOVER CONTACT
- ▶ DIN RAIL MOUNTING EN50.022
- ▶ MEASURES PHASE TO PHASE VOLTAGE
- ▶ UNDER AND OVER VOLTAGE TRIP LEVEL SETTING
- ▶ UNDER AND OVER VOLTAGE TIME DELAY SETTING
- ▶ PHASE LOSS CONTROL

* AVAILABLE ALSO IN 3 x 230VAC - COD: MVTFBD1

■ TYPICAL APPLICATION: SUPPLY VOLTAGE MONITORING

NEW MODEL 16A



EC Directives - CE Marking:

- > 2006/95/EC - Low Voltage
- > 2004/108/EC - EMC

TECHNICAL DATA

| INPUT | UNIT | MVMFBD1 | MVMFBD1-16 |
|-----------------------------|-------|-----------------|-----------------|
| Supply voltage AC | VAC | 230 | 230 |
| Frequency range | Hz | 47 - 63 | 47 - 63 |
| Trip Levels | Under | 75 - 95% of U | 75 - 95% of U |
| | Over | 105 - 125% of U | 105 - 125% of U |
| Range operating voltage | VAC | 160 > 290 | 160 > 290 |
| Power consumption (max. AC) | VA | 13 (1.5W) | 13 (1.5W) |
| Supply indication | - | Green LED U | Green LED U |

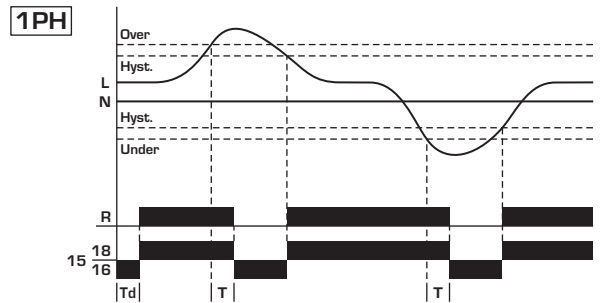
OUTPUT RELAY

| | | | |
|-----------------------|---------|-------------------------|-------------------------|
| Rating | - | 8A - 250VAC/24VDC | 16A - 250VAC/24VDC |
| Max switching power | - | 2000VA | 4000VA |
| Max switching voltage | - | 400VAC | 440VAC |
| Min switching load | - | 10mA 5VDC | 10mA 10VDC |
| Contact life | Mech. | 2 x 10 ⁷ ops | 2 x 10 ⁷ ops |
| | Electr. | 1 x 10 ⁵ ops | 3 x 10 ⁴ ops |
| Changeover contacts | - | 1 Au+AgCdO | 1 Au+AgCdO |
| Output Indication | - | Red LED R | Red LED R |

GENERAL

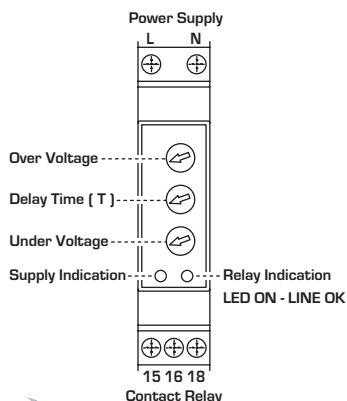
| | | |
|-----------------------------|-----|-------------------|
| Hysteresis (factory set) | % | ± 2 of trip level |
| Response Time | ms | 100 |
| Time Range [T] | s | 0.2 - 10 |
| Power on delay [Td] | ms | 100 |
| Working temperature | °C | -10/+50 |
| Storage temperature | °C | -30/+70 |
| Electrical Insulation | kV | 4 |
| Protection degree | IP | 20 |
| Relative Humidity w/o cond. | RH% | 95 |
| Weight | g | 65 |
| Dimensions | mm | 98 x 17.5 x 64 |
| Conforms to | - | CE |

FUNCTIONS

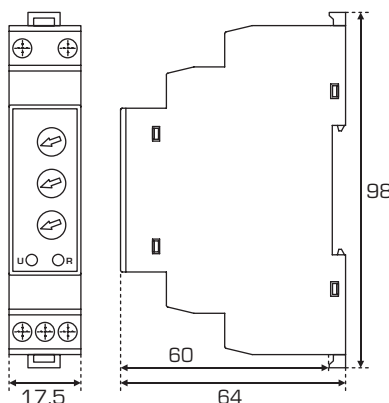


When Line is OK The R led and Relay are ON

DESCRIPTION



DIMENSIONS (mm)



WIRING DIAGRAM

