

- ▶ SELF-EXTINGUISHED MATERIAL V0
- ▶ COMPACT SIZE - 1 MODULE - 17.5mm
- ▶ OUTPUT RELAY 1 POLE CHANGEOVER CONTACT
- ▶ DIN RAIL MOUNTING EN50.022
- ▶ MEASURES PHASE TO PHASE VOLTAGE
- ▶ UNDER VOLTAGE TRIP LEVEL SETTING
- ▶ UNDER VOLTAGE TIME DELAY SETTING



■ TYPICAL APPLICATION: GENSET SYSTEMS

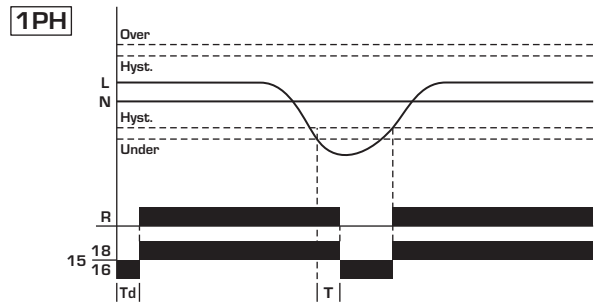
EC Directives - CE Marking:

- > 2006/95/EC - Low Voltage
- > 2004/108/EC - EMC

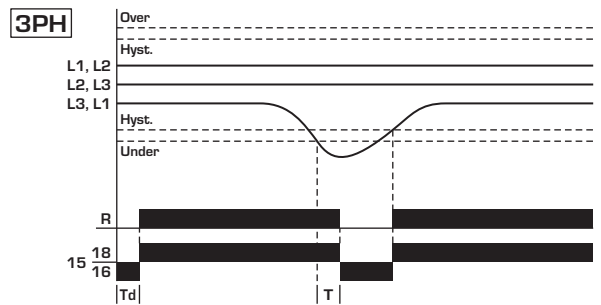
TECHNICAL DATA

INPUT	UNIT	MVMFBD1L	MVTGBD1L
Supply voltage AC	VAC	230	3 x 400
Frequency range	Hz	47 - 63	
Trip Levels	Under	75 - 95% of U	
Range operating voltage	VAC	160 > 290	280 > 500
Power consumption (max. AC)	VA	13 [1.5W]	15 [2.2W]
Supply indication	-	Green LED U	
OUTPUT RELAY			
Rating	-	8A - 250VAC/24VDC	
Max switching power	-	2000VA	
Max switching voltage	-	400VAC	
Min switching load	-	10mA 5VDC	
Contact life	Mech.	2 x 10 ⁷ ops	
	Electr.	1 x 10 ⁵ ops	
Changeover contacts	-	1 Au+AgCdO	
Output Indication	-	Red LED R	
GENERAL			
Hysteresis (factory set)	%	± 2 of trip level	
Response Time	ms	100	
Time Range [T]	s	0.2 - 10	
Power on delay [Td]	ms	100	
Working temperature	°C	-10/+50	
Storage temperature	°C	-30/+70	
Electrical Insulation	kV	4	
Protection degree	IP	20	
Relative Humidity w/o condensation	RH%	95	
Weight	g	55	
Dimensions	mm	98 x 17.5 x 64	
Conforms to	-	CE	

FUNCTIONS

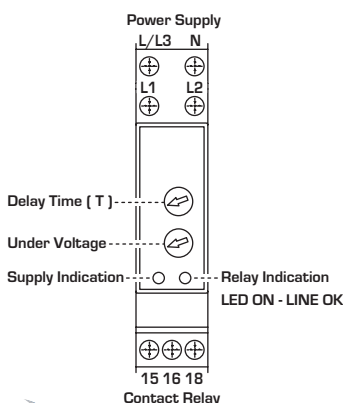


When Line is OK The R led and Relay are ON

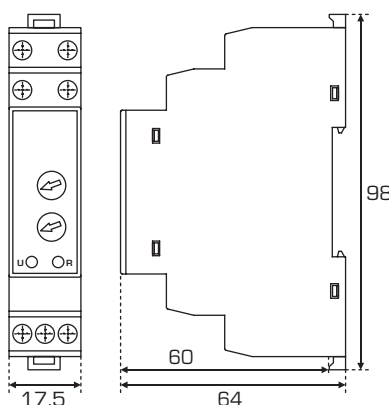


When Line is OK The R led and Relay are ON

DESCRIPTION



DIMENSIONS (mm)



WIRING DIAGRAM

