

- ▶ SELF-EXTINGUISHED MATERIAL V0
- ▶ COMPACT SIZE - 1 MODULE - 17.5mm
- ▶ OUTPUT RELAY 1 POLE CHANGEOVER CONTACT
- ▶ DIN RAIL MOUNTING EN50.022
- ▶ PROTECTION RELAY FOR MOTOR WITH PTC SENSOR
- ▶ MANUAL OR AUTOMATIC RESET
- ▶ MEMORY AND FAILURE SET
- ▶ SENSOR TEST

■ TYPICAL APPLICATION: MOTOR OVERLOAD

EC Directives - CE Marking:

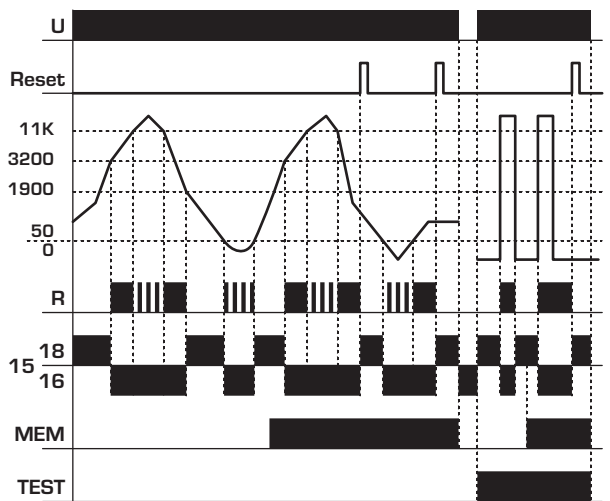
- > 2006/95/EC - Low Voltage
- > 2004/108/EC - EMC



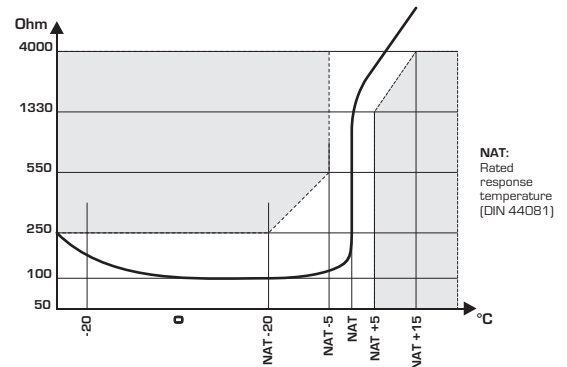
TECHNICAL DATA

INPUT	UNIT	TPMCII1	TPMIII1
Supply voltage DC	VDC	24	-
Supply voltage AC	VAC	24	90 - 264
Frequency range	Hz	47 - 63	
Power consumption (max. AC)	VA	2.5 (1.2W)	
Supply indication	-	Green LED U	
MEASURING CIRCUIT			
Type of PTC sensor	-	According to DIN 44081	
Total PTC resistance R1+R2+RN	KΩ	< 1.5	
Trip resistance	KΩ	3.2 ± 10%	
Reset resistance	KΩ	1.9 ± 10%	
Voltage at T1 - T2	VAC	< 2.5	
OUTPUT RELAY			
Rating	-	8A - 250VAC/24VDC	
Max switching power	-	2000VA	
Max switching voltage	-	400VAC	
Min switching load	-	10mA 5VDC	
Contact life	Mech. Electr.	2 x 10 ⁷ ops 1 x 10 ⁵ ops	
Changeover contacts	-	1 Au+AgCdO	
Output Indication	-	Red LED R	
GENERAL			
Working temperature	°C	-10/+50	
Storage temperature	°C	-30/+70	
Electrical Insulation (supply/probe)	kV	3	
Electrical Insulation (supply/relay)	kV	4	
Protection degree	IP	20	
Relative Humidity w/o condensation	RH%	95	
Weight	g	55	
Dimensions	mm	98 x 17.5 x 64	
Conforms to	-	CE	

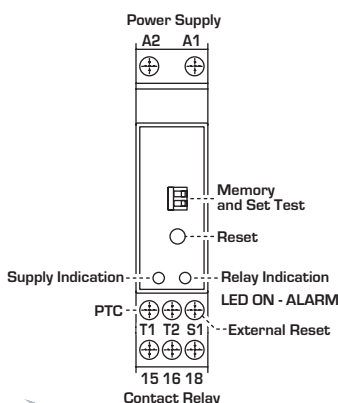
FUNCTIONS



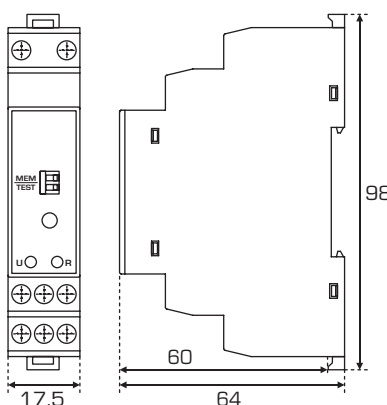
PTC RESISTIVE CURVE



DESCRIPTION



DIMENSIONS (mm)



WIRING DIAGRAM

